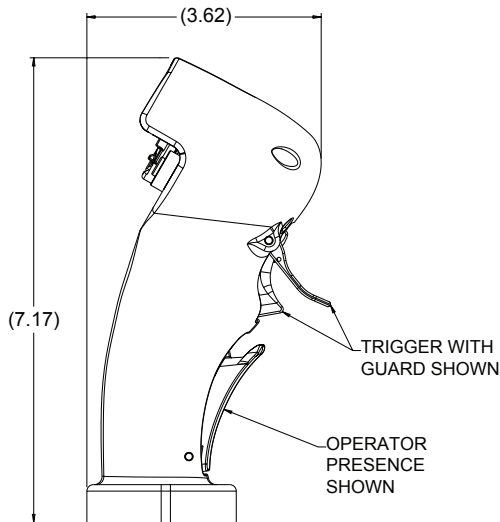




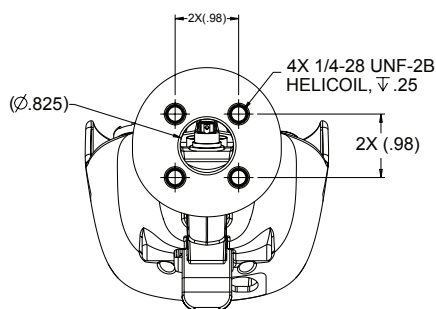
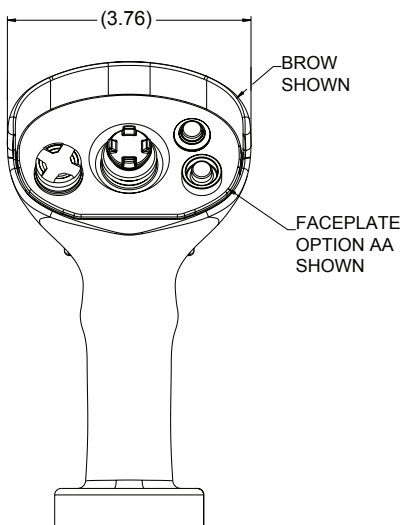
# G2 Commander Grip

Harnessing and Electro-Mechanical Solutions for Demanding Environment Applications



**Modular Design Grips**  
**Cast from Aluminium Alloy**  
**Configure to your Application**

**No need for tooling charges**  
**Nine Standard Faceplate Options**  
**Fixed Grip or Joystick Mounted**



Cast from aluminum alloy, the G2 Commander Grip is a rugged control grip suitable for demanding applications in both commercial and Aerospace environments. The standard G2 Commander Grip offers nine different faceplate configurations that include pushbutton, toggle, transducer, split trim and Hall effect switches. Thousands of custom faceplate configurations are possible. The grip body has 10 possible switch location options.

The G2 Commander Grip is suitable for use in military, aerospace and industrial applications, and is the ideal solution where durability and dependability are required.

- Available as a fixed grip or can be mounted on our JH or JHM series 'Hall Effect' joystick.
- Various mounting and termination options available.
- Nine standard faceplate configurations that include T3, T4 and T5 toggle switches, P4, P7 and P9 pushbutton switches, K1 rocker switches, SPT split trim switches, J2 transducer switches, FG flip guards, and HTWM, HTL and HTLT Hall effect switches.
- Thousands of custom faceplate configurations possible that can accommodate virtually all OTTO pushbutton, rocker, toggle, trim, transducer and thumb wheel switches.
- Operator presence and trigger options.
- USB output option.
- Tested to withstand a 120kg load.
- Grip sealed to IP68S (subject to change based on switch choice).

Please refer to following pages for part numbering details...

Official Distributors for

**OTTO**<sup>®</sup>

**iS** Rayfast

# G2 Commander Grip

## Part Numbering Configuration



**G2 - 2 2 AA 2 4 4 4 1 1 1**

part number example

**Trigger with Guard**  
1. None or 2. Yes

**Operator Presence**  
1. None or 2. Yes

**Faceplate Option**  
AA, BB, AC, AD, AE, AF, AG, AH or AJ.  
See illustrations below

**Grip Head Brow**  
1. None or 2. Yes

**Grip Head Switches Back** #1  
1. None or  
2. One P7 Back Left or  
3. One P7 Back Right or  
4. Two P7's Back Left & Right

**Grip Head Switches Top** #2  
1. None or  
2. One P7 Top Left or  
3. One P7 Top Right or  
4. Two P7's Top Left & Right

**Paint**

1. Polyurethane per MIL-DTL-53039, Colour Black #37038 per FED-STD-595. or  
2. Powder Coat, Colour Black #37038 per FED-STD-595.

**Cable Output**

1. Flying Leads 3' or  
2. USB\*\*\* see notes below

#4

**Handle Switches**

1. None or  
2. One P7 Side Left or  
3. One P7 Side Right or

#3

**Grip Head Switches Side**

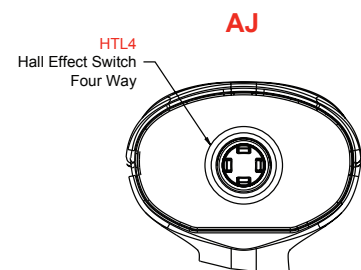
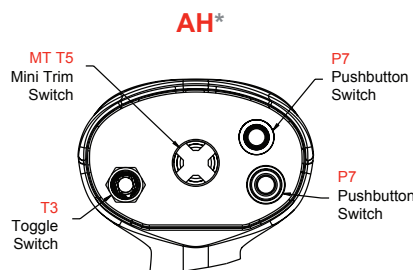
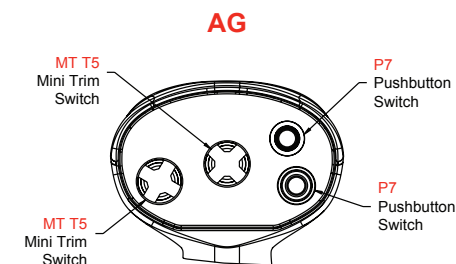
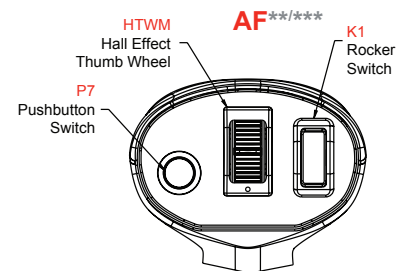
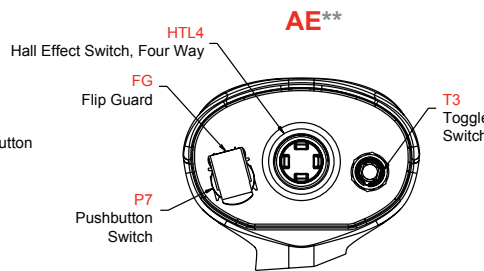
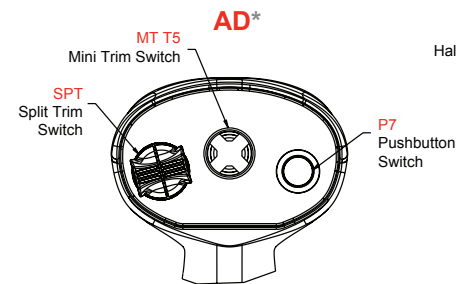
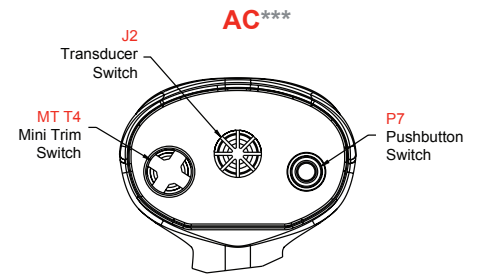
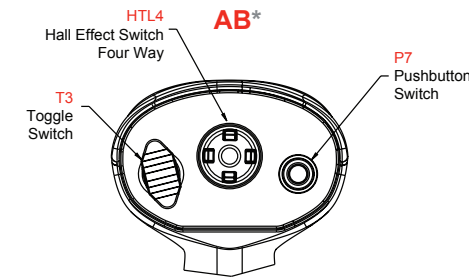
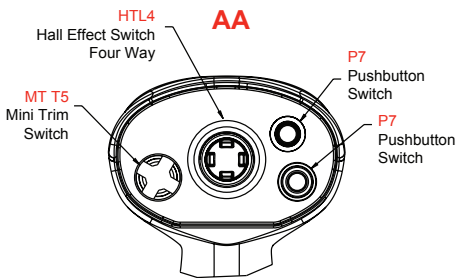
1. None or  
2. One P7 Side Left or  
3. One P7 Side Right or  
4. Two P7's Side Left & Right  
See notes below

\* Faceplate options AB, AD and AH not available with Grip Head Switches Side, option 2 & 4.

\*\* Faceplate options AE and AF not available with Grip Head Switches Side, option 3 & 4.

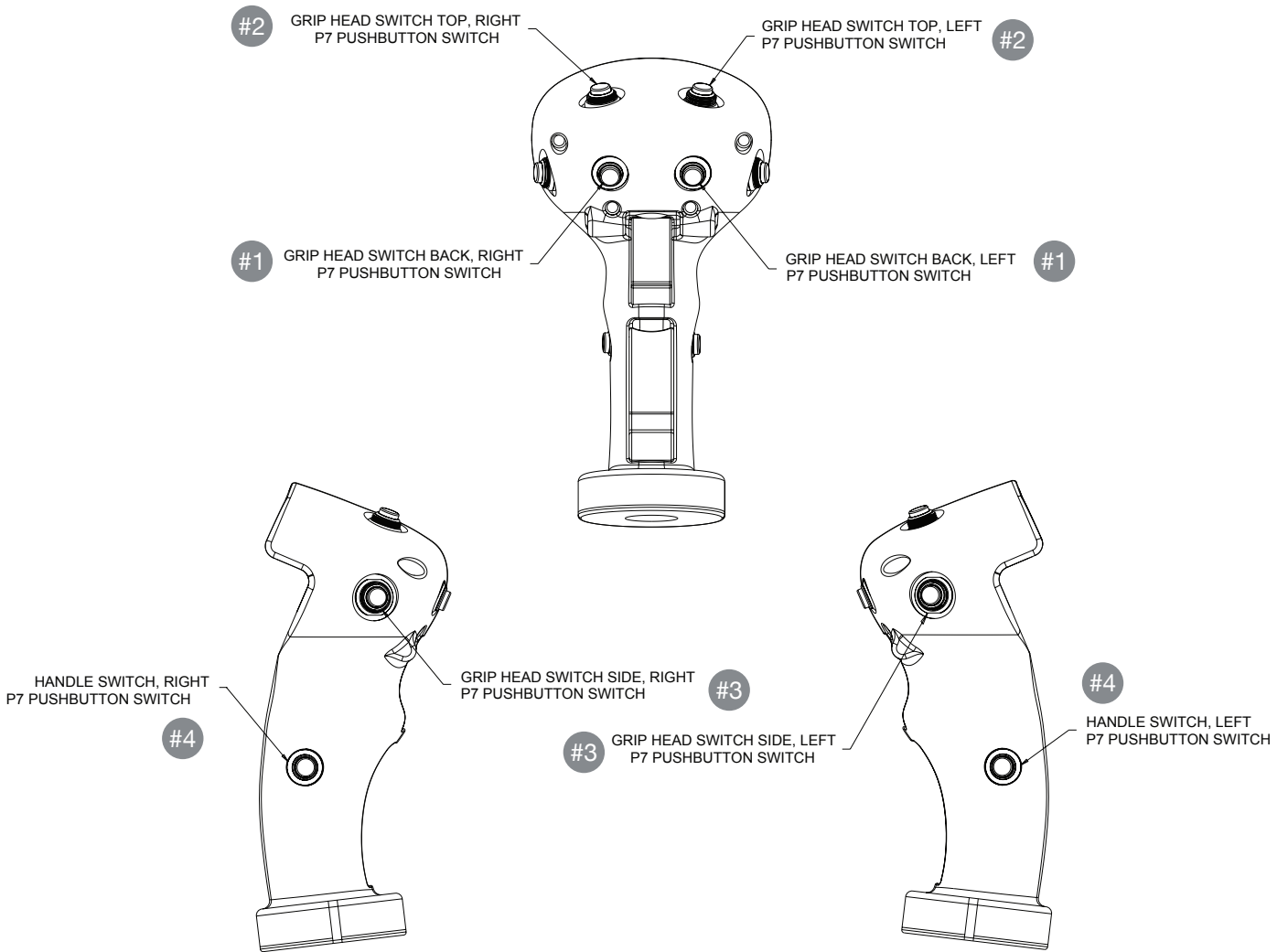
\*\*\* Faceplate options AC and AF not available with USB cable output option

## Faceplate Options

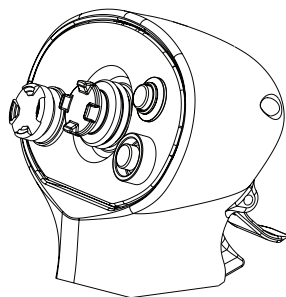


For a review of the available switch types please see the back page, or contact us for more information.

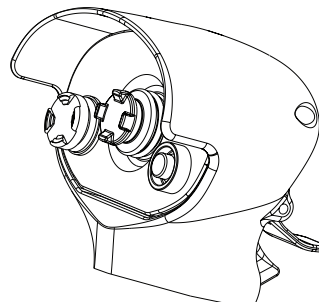
## Grip Head and Handle Switch Options



## Brow Options



No Brow



With Brow

# G2 Commander Grip

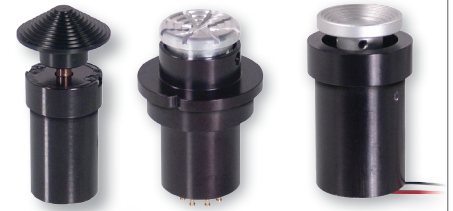
## Standard Switch Options Overview



**HTL4 Hall Effect Mini Joystick**  
Provides all the performance of a full size dual axis joystick in a miniature package. Immune to electronic EMI and radio frequency interference. Excellent tactile feel for improved operator control. Selection of gating options and output configurations.



**HTWM Hall Effect Thumbwheel**  
Offers a spring return to centre, single axis thumbwheel actuator that provides linear change in the voltage output from the centre position to the full travel position. Options include increasing or decreasing voltage output...



**J2 Transducer**  
These are strain gauge based designs, force transducer switches, providing analogue an output proportional to the force applied to the button. Normally mounted in a grip and operated by a finger or thumb.



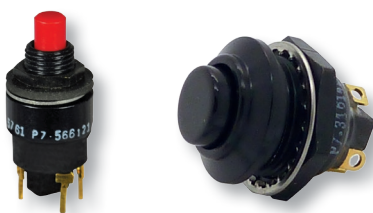
**K1 Rocker Switch**  
Rugged, high performance sealed switches designed for use under severe conditions found in marine, appliance, heavy equipment and industrial control applications. Available with rocker or paddle style switches.



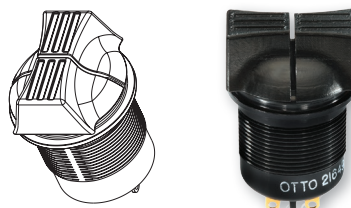
**MT T4 Trim, 4 Way**  
T4 Mini Trim is a single pole, 4 throw, centre off, momentary contact (self return to centre off). Numerous button styles available. Also available with tactile response T4-T version, which offers a positive detent to indicate circuit transfer.



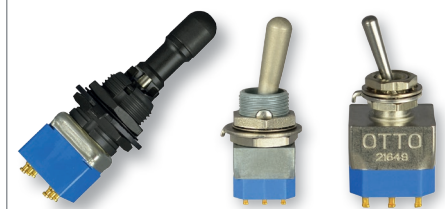
**MT T5 Trim, 4 Way and Centre**  
The T5 Mini Trim is a single pole, 5 throw centre off momentary contact (self return to centre off) switch, with numerous button styles available. Available in both military (aluminium alloy) and commercial (thermoplastic) versions.



**P7 Pushbutton Switch**  
These subminiature switches, feature an anodised aluminium case and embraces today's requirements by allowing for a large number of switches to fit within a faceplate. Momentary action, sealed and long life snap action design.



**SPT Split Trim**  
Uses two single-pole-single-throw momentary toggles with detent providing a positive click action. Each two-way switch can operate independently or simultaneously. Available in both commercial and military grades



**T3 Toggle Switch**  
Rugged miniature toggles to MIL-PRF-83731, highly reliable switches offering positive detent action for safe switching operation. Featuring a snap-action switch mechanism. Available with thumb actuators and lever lockout codes.

All information provided is believed to be reliable. We advise however that customers should separately evaluate the suitability of our products for their particular application. IS-Rayfast give no guarantee in respect of the accuracy or sufficiency of the information presented and disclaim any liability regarding its use. Our responsibilities are only those listed in our Standard Terms and Conditions of Sale for these products. In no instance will we be liable for any eventual, indirect, or consequential damage or damages from the sale, resale, transfer, use or misuse of the product.

Tel: +44 (0)1793 616700 • Email: sales@is-rayfast.com

[www.is-rayfast.com](http://www.is-rayfast.com)

2 Lydiard Fields, Swindon, Wiltshire, SN5 8UB, UK.

